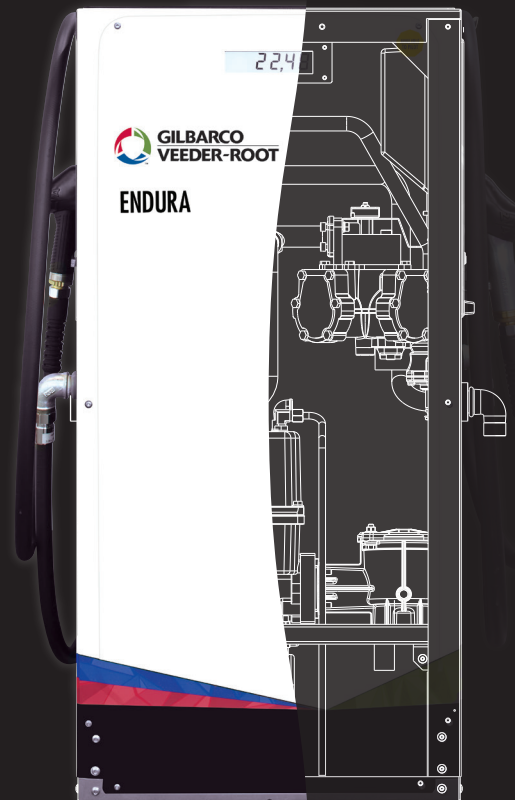


ENDURA

HIGH QUALITY PRODUCT FOR COMMERCIAL APPLICATIONS



RELIABLE

- > Robust and reliable enabling usage in commercial and industrial environments
- > Designed and manufactured in Germany
- > Best in class hydraulics and electronic components
- > Powder coated steel or stainless steel finish

FLEXIBLE/ADAPTABLE

- > Offers different flow rates
- > One or two hose options
- > MID and non-MID versions
- > Can be operated as a stand-alone pump or integrated with most Fleet Management Systems
- > Fleet Management System compatibility using Pulse output (Multiwire) or Gilbarco Veeder-Root – 2 wire

VALUE FOR MONEY

- > High quality, proven components
- > Robust and reliable
- > Minimal maintenance
- > Low total cost of ownership
- > One step electronic calibration

Why choose the Endura?

Standard Features

- > One grade with one or two hoses (one fuelling position)
- > Island oriented
- > Volume (litres) counter
- > Single/double sided 5 digit backlit display
- > Non-ATEX, non-MID (for Diesel and Biodiesel only)
- > Flow Rate: 40 lpm (70, 120, 40/120 lpm optional)
- > Powder coated sheet metal
- > Elaflex hanging hardware
(compatible with other standard hanging hardware)
- > Hose reach of 3.5m

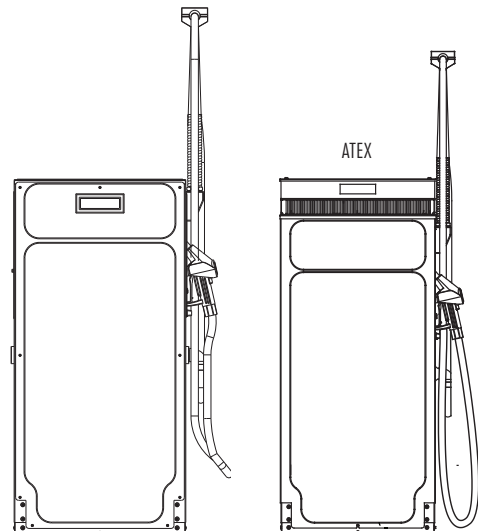


Options

- > Electromechanical Totaliser
- > Stainless steel panels
- > Additional hose length
- > Enhanced corrosion protection
- > FMS pre-set feature
- > Safety breakaway coupling
- > Hose mast
- > Adapter plate on top for mechanical mounting
of Fleet Management System
- > MID Version
- > ATEX version
- > Non-standard colours and livery options
- > ER3 Protocol
- > Nozzle Locks
- > Optional heater for below -20°C

Technical Specifications

- > Gilbarco Veeder-Root Commercial Electronic Calculator (MID compliant)
- > Electrical specs: 230/400V AC, 3-phase
230V AC, 1-phase
50 Hz, +/- 2%
- > Communication protocols: Gilbarco Veeder-Root 2-Wire
and Multiwire (Pulse) output
- > 25mm displays with 15 minute battery back up after power fail
- > -20°C to 55°C (up to -40°C optional)



Countries that require ATEX: France, Spain, Portugal, Italy, Russia, Romania & Bulgaria